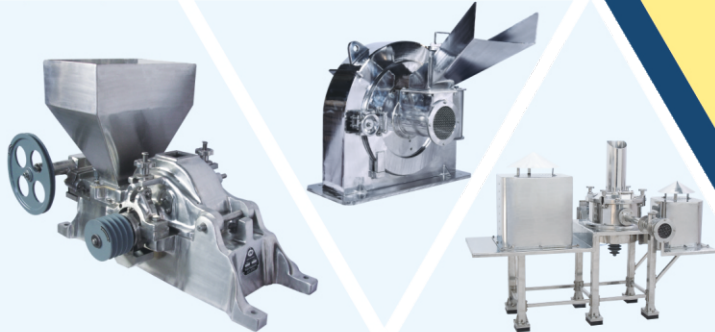


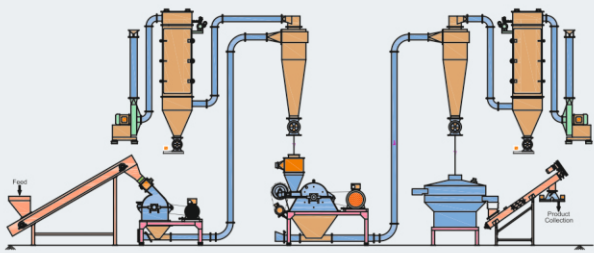
VM kaps engineers

Since 1965 | 8000+Users

Crushing... **Pulverizing...**
Grinding... **Powdering...** Milling...



Powdering Technology...
The Kaps Solutions...



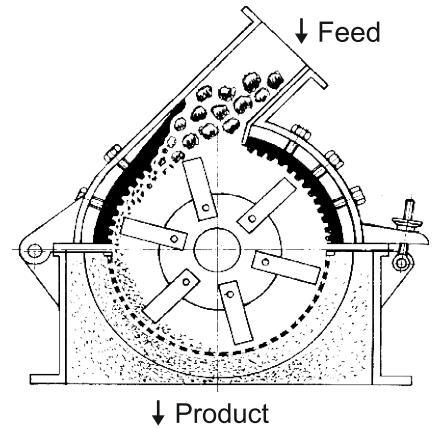
Proven Performers ...



Hammer Crusher... Screen Type

Model Type	HC- 01, HC- 03, HC- 05
Mill Motor	7.5 to 75 HP
Capacity	50 to 10000 kgs / hr
Feed size	50mm & less
Fineness range	4000 to 250 microns & Finer

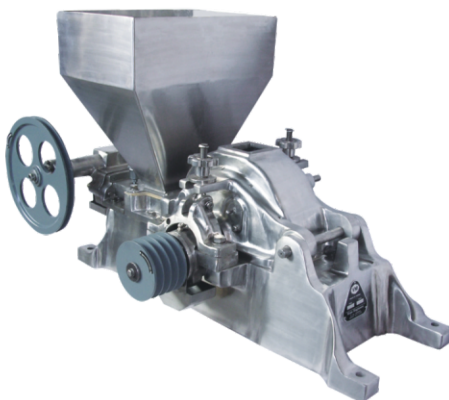
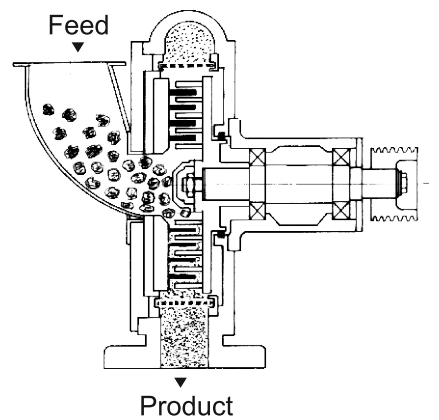
Versatile, Perfect to disintegrate, Crushing Lumps, Irregular shaped hard & fibrous materials from coarse to medium fine powder.



Universal Mill (Pin Mill)... Screen Type

Model Type	PP - 302, PP - 452
Mill Motor	10 to 30 HP
Capacity	100 to 4000 kgs / hr
Feed size	10mm & less
Fineness range	500 to 100 microns & Finer

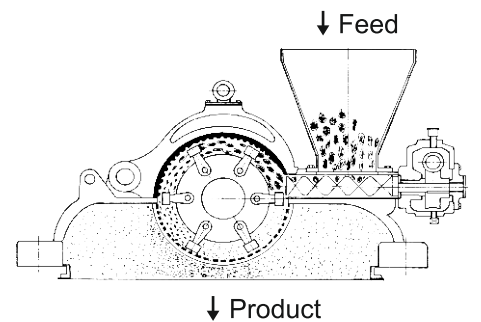
Cool powdering operation to retain vital properties, Recommended for medium to fine powder of soft to semi hard materials.



Mikro Pulverizer...Screen Type

Model Type	MP - 01, MP - 02, MP - 31
Mill Motor	5 to 40 HP
Capacity	30 to 2000 kgs / hr
Feed size	6mm & less
Fineness range	150 to 50 micron & Finer

High speed close tolerance Hammer mill suitable for soft to medium hard materials are quickly pulverized to fine powder. Provision for cool grinding.



Batch Collection



Simple Pneumatic Conveying System



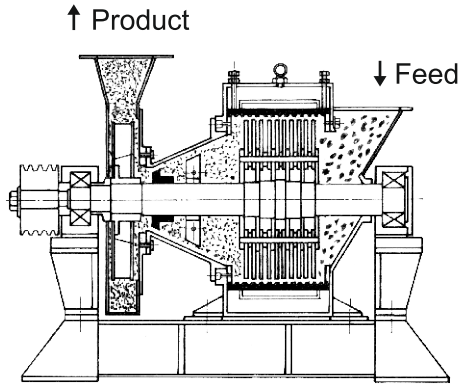
Pneumatic Conveying System with Open Type Dust Collector



Pneumatic Conveying System with Pulse Jet Dust Collector



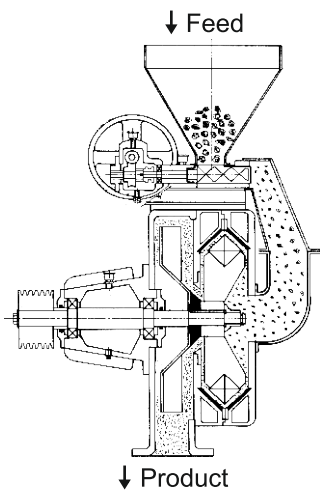
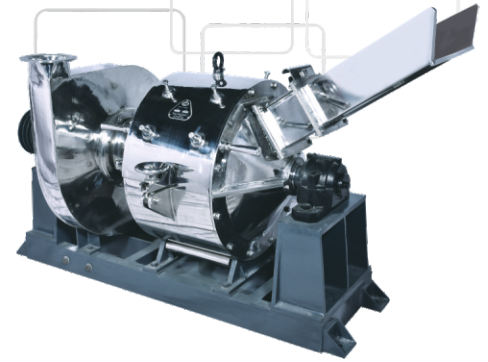
that add up to perfect size reduction



Air Swept Mill... Screen Less

Model Type	SM - 1500, SM - 25
Mill Motor	20 to 60 HP
Capacity	50 to 750 kgs / hr
Feed size	50mm & less
Fineness range	100 to 35 microns & Finer

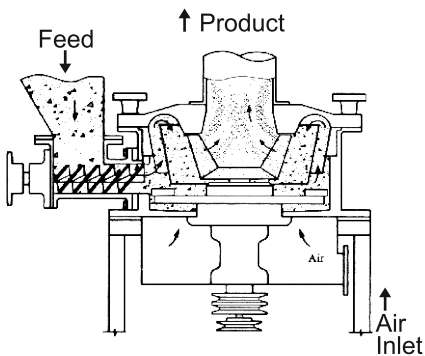
Air swept impact mills Whizzer type classifier recommended for micro fine powder of soft to medium hard, fibrous & slightly moist materials. Mill is supplied with pneumatic conveying system.



Ultra Fine Mill... Screen Less

Model Type	UFM - 300, UFM - 400
Mill Motor	10 to 20 HP
Capacity	50 to 300 kgs / hr
Feed size	6mm & less
Fineness range	75 to 25 microns & Finer

Precisely built for grinding of soft to medium hard materials in to ultra fine uniform powder. Gap plate controls fineness. Provision for cool grinding.



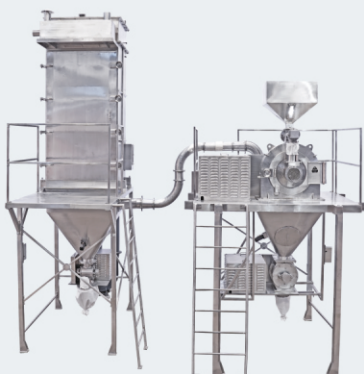
Air Classifier Mill... Screen Less

Model Type	KCM - 12, KCM - 31, KCM - 61
Mill Motor	10 to 75 HP
Capacity	100 to 2000 kgs / hr
Feed size	10mm & less
Fineness range	75 to 25 microns & Finer

Designed for micronised fine & free flowing powder. Air classifier controls the top cut size powder. Mill is supplied with pneumatic conveying system. Provision for cool grinding.



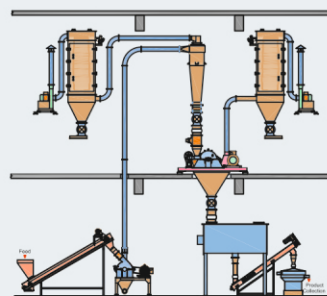
Gravity Collection System



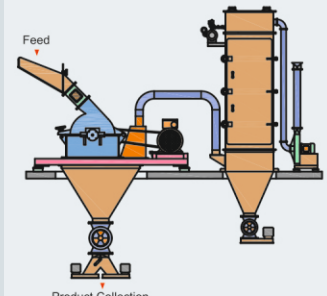
Pneumatic Conveying System



Multi Floor Grinding System



Customized Grinding System





Pulverizing Systems For Spices

1000 + Installations

Applications for **Powdering...**

Product	Capacity Range
All Spices	100 - 1000 Kgs/hr
Costly Spices	100 - 500 Kgs/hr
Blended Spices	100 - 1000 Kgs/hr
Seasonings	100 - 1000 Kgs/hr
Extracts	100 - 3000 Kgs/hr
Jaljira	100 - 1200 Kgs/hr
Dehydrated Fruits	100 - 800 Kgs/hr
Dehydrated Vegetables	100 - 1000 Kgs/hr
Pizza Flakes	300 - 1000 Kgs/hr



Stand Alone Grinding Systems For 50 - 150 Kgs/hr Capacity
 Continuous Grinding Systems For 125 Kgs/hr & above Capacity

The Constant, uniform feed & Sieving after grinding are essential
 The above Specifications are subject to % of moisture, oil, fibers, chilli seeds etc...

Pulverizing Systems For Sugar

1600 + Installations

Applications for **Powdering...**

Product	Capacity Range
Icing & Cream	100 - 1000 Kgs/hr
Biscuits & Bakery	100 - 2000 Kgs/hr
Snacks & Sweets	100 - 2000 Kgs/hr
Chocolates	100 - 1000 Kgs/hr
Confectionary	100 - 2000 Kgs/hr
Medicine	100 - 2000 Kgs/hr
Flavours	100 - 3000 Kgs/hr
Premix	100 - 4000 Kgs/hr
Ready Drinks	100 - 4000 Kgs/hr
Chewing Gum	100 - 1000 Kgs/hr
Dairy Products	100 - 2000 Kgs/hr
Seasonings	100 - 2000 Kgs/hr

Stand Alone Grinding Systems For 100 - 300 Kgs/hr Capacity
 Continuous Grinding Systems For 300 Kgs/hr & above Capacity

The Constant, uniform feed & Sieving after grinding are essential
 The above Specifications are subject to % of moisture & Type of grade etc...

3 Stage Spices Grinding System



Sugar Grinding System





Pulverizing Systems For Grains, Pulses & Food Stuff

2800 + Installations

Applications for Powdering...

Products	Capacity Range
Pulses Powder	100 - 1000 Kgs/hr
Instant Mix	100 - 1500 Kgs/hr
Wheat Daliya / Suji	100 - 1000 Kgs/hr
Grits / Flour (Rice / Maize)	100 - 1000 Kgs/hr
Milletts Grits / Powder	100 - 1000 Kgs/hr
Oats / barley / ragi Flour	100 - 1000 Kgs/hr
Starch	100 - 1000 Kgs/hr
Salt	100 - 10000 Kgs/hr
Tea (Fibers / Leaves)	100 - 500 Kgs/hr
Roasted Coffee Beans	100 - 1000 Kgs/hr
Chicory	100 - 2000 Kgs/hr
Desiccated Coconut	100 - 1000 Kgs/hr
Arabic Gum	100 - 800 Kgs/hr
Coconut Flour	100 - 1000 Kgs/hr

Stand Alone Grinding Systems For 50 - 300 Kgs/hr Capacity
 Continuous Grinding Systems For 300 Kgs/hr & above Capacity

The Constant, uniform feed & Sieving after grinding are essential
 The above Specifications are subject to % of moisture & Type of grade etc...

Pulverizing Systems For Ayurveda Herbs & Roots

400 + Installations

Applications for Powdering...

Products	Capacity Range
Herbal Extracts	100 - 2000 Kgs/hr
Fine Powder (Oral Dose)	100 - 400 Kgs/hr
Herbal Leaves Powders	100 - 600 Kgs/hr
Ex. Fine Powder (Tablets)	100 - 500 Kgs/hr
Isabgol	100 - 800 Kgs/hr

Stand Alone Grinding Systems For 50 - 200 Kgs/hr Capacity
 Continuous Grinding Systems For 100 Kgs/hr & Above Capacity

The Constant, uniform feed & Sieving after grinding are essential
 The above Specifications are subject to % of moisture, oil, hardness, fibers etc...



Pulses / Grains / Tea Fibers Grinding System



Ayurveda Grinding System





Pulverizing Systems For Chemicals Dyes & Pigments

1300+ Installations

Applications for **Powdering...**

Product	Capacity Range
Organic Chemicals	100 - 1000 Kgs/hr
Non Organic Chemicals	100 - 1000 Kgs/hr
Dyes & Pigments	100 - 1000 Kgs/hr
Food Chemicals	100 - 1000 Kgs/hr
Other chemicals	100 - 1000 Kgs/hr
Food Color	100 - 1000 Kgs/hr
Resins	100 - 1000 Kgs/hr



Stand Alone Grinding Systems For 100 - 300 Kgs/hr Capacity
 Continuous Grinding Systems For 100 Kgs/hr & above Capacity
 The Constant, uniform feed & Sieving after grinding are essential
 The above Specifications are subject to characteristics & Properties etc...

Pulverizing Systems For Pharma Bulk drugs & intermediates

700 + Installations

Applications for **Powdering...**

Fineness	Capacity Range
Lump Breaking	50 - 3000 Kgs/hr
D90 < 100 Micron	100 - 1500 Kgs/hr
D90 < 50 Micron	100 - 1000 Kgs/hr
D90 < 25 Micron	100 - 500 Kgs/hr
D90 < 25 Micron	100-1500 Kgs/hr

- Stainless Steel GMP grade systems
- Narrow particle size distribution for product quality
- Quick replacement of parts and dust less operation
- Simple operation, easy cleaning, low maintenance equipments

Stand Alone Grinding Systems For 20 - 300 Kgs/hr Capacity
 Continuous Grinding Systems For 100 Kgs/hr & above Capacity
 The Constant, uniform feed & Sieving after grinding are essential
 The above Specifications are subject to characteristics & Properties etc...

Chemical Grinding Systems



Pharma Grinding Systems



FOODS

PHARMACEUTICALS

CHEMICALS

AYURVEDA

EXPORT

Since 1965
8000+ Users

When reducing size is important...

Rely on India's leading manufacturer for

the total powdering solutions...

KAPS.... The pioneer in field, meets your needs for variety of applications through a chain of processes such as pre-crushing to micro fine grinding, grading and handling of bulk powder materials with almost dust less operations. We attach due importance to critical parameters such as top cut size and grade distribution of powder, power consumption and minimum running maintenance for the equipment. We are in sound position to guarantee operational efficiency, reliability and support after sales to our end users.

Reliability

- Kaps is a family run business currently in its 3rd generation of family management.
- Over 60% business from repeat customers.
- Total customer satisfaction
- Dependable powdering solutions
- Continuous technical & service support

Experience

- Perfecting particle size for over 50 years
- Over 8000+ installations worldwide
- Experience of over 7500+ trial test data
- Kaps employees average over 15 years of service.

Services

- All operations are under one roof resulting in fast reliable problem solving
- Fully equipped trial test facility helps customers determine the best way to achieve fine particle size and understand processing characteristics
- A skilled service team available for startup of new equipment & field inspection of existing installations.

Benefits

- Sole - source responsibility with complete system availability
- Total powdering solutions from coarse to ultra fine powder
- Reduce narrow particle size distribution for product quality
- Customized grinding solutions with dust less operations
- Design for operation under inert atmosphere & Chilled Air
- Fully equipped trial test facility
- Stainless Steel contact parts & GMP grade systems
- Simple operation, easy cleaning & low maintenance equipments
- Batch & Continuous type collection systems
- Non lubrication contamination
- Design suitable for Feed / Discharge controls, Conveying Systems, Dust Collectors
- Quick replacement of parts & easy cleaning
- Multi stage grinding solutions
- Can offer tried & tested versatile concepts for standard specific requirement
- Dust less operation

Specifications & Illustrations subject to change, without prior notice, due to constant upgradation.



Where the application matters

Manufactured & Marketed by :

kaps engineers

Reg. Office : 831, GIDC, Makarpura, Vadodara-390 010,
Gujarat, India.

Phone : +91-265-2648082, 2640785, 2644407

Mobile : +91-9374065700, 9374065701

Spares + 91 93740 65704

Email : sales@kapsengineers.com

Web : www.kapsengineers.com